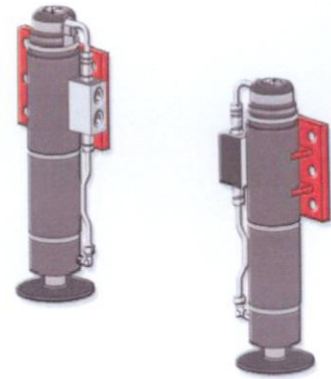
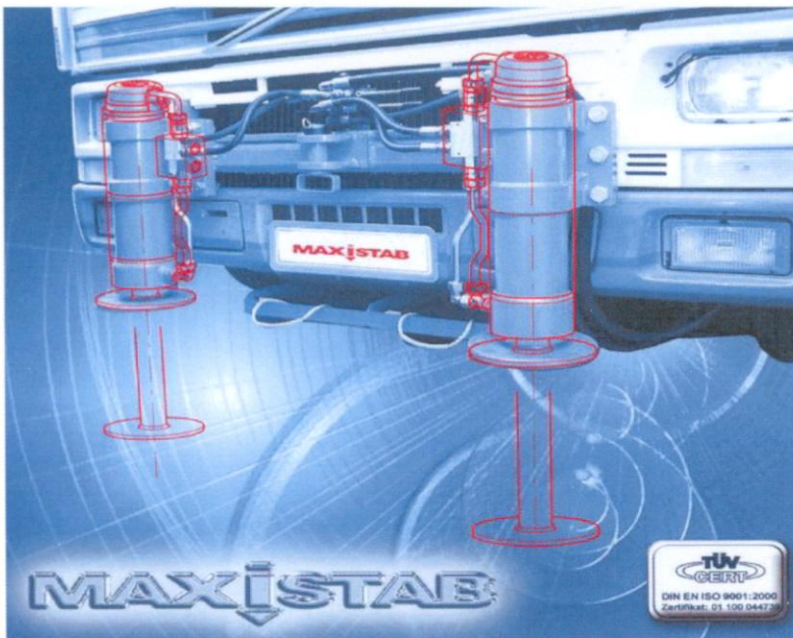
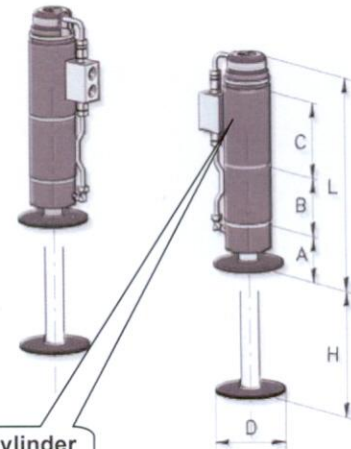


CYLINDERS FOR FRONT CHASSIS MOUNTING



The square flange (showed above in red colour - not supplied with the cylinders set) has to be prearranged and welded to the cylinder sleeve by the installer.



All kits include double acting valves and cylinder sleeves to weld - items fully assembled.

Description	Max. force daN.	p/n	Dimensions						
			A	B	C (cylinder sleeve height)	Ø D	H	L	
Pair of short cylinders gr. 4 with fixed plate	19.000	03.4.520	177	0	250	200	500	765	
Pair of short cylinders gr. 5 with fixed plate	25.000	03.5.540	188	258	250	200	450	772	
Pair of long cylinders gr. 5 with fixed plate	25.000	03.5.546	188	408	250	200	600	922	